

物料编号	Φ ID	Φ OD	H
MNRS201	2.2	4.0	2.0
MNRS202	2.2	4.0	4.0
MNRS203	2.2	4.0	7.0
MNRS204	2.2	4.0	11.0
MNRS205	2.2	4.0	29.0
MNRS2501	2.7	5.0	3.0
MNRS2502	2.7	5.0	4.0
MNRS2503	2.7	5.0	5.0
MNRS2504	2.7	5.0	6.0
MNRS2505	2.7	5.0	10.0

NOTES

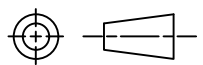
- DESIGNED FOR COMPONENTS INSULATION
- MATERIAL NYLON 66,UL94V2

COLOUR ORDER CODE:

NATURE COLOUR - ADDING SUFFIX "WH"

BLACK COLOUR-ADD SUFFIX "BK"



UNLESS OTHERWISE SPECIFIED GENERAL TOLERANCE DIN ISO 2768 mk	THIRD ANGLE PROJECTION
	 ANGULAR TOLERANCE ±0.5 DEGREES UNSPECIFIED RADII 0.25mm DRAFT ANGLE 0.5 DEGREES
DO NOT SCALE	
ALL DIMENSIONS IN mm	DATE: 19 May 2016
MATERIAL:	SEE TABLE
ITEM NUMBER:	SEE TABLE
TITLE: MINI ROUND SPACER	
DWG.No. 05001745	REV, 1