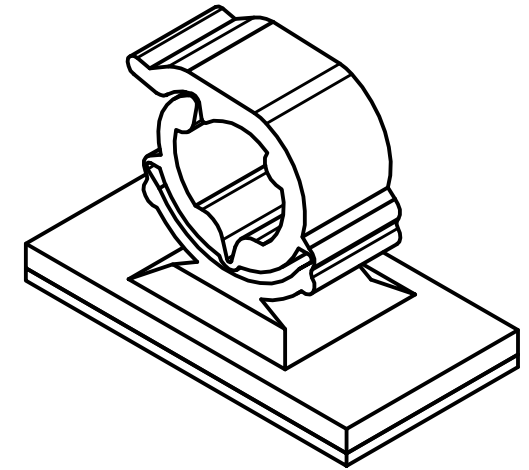
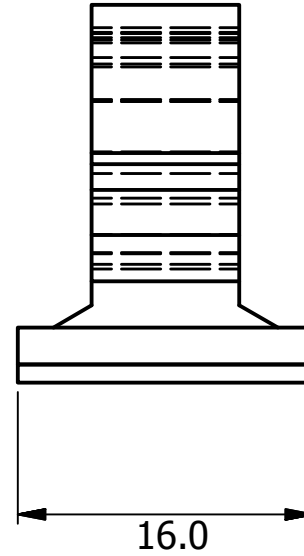
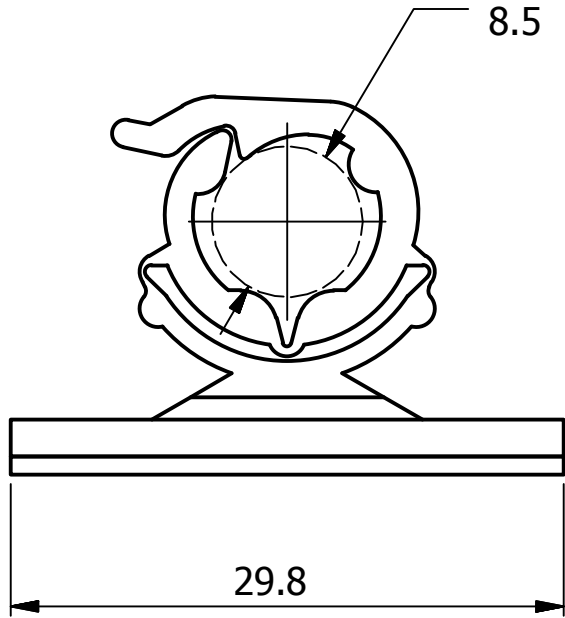


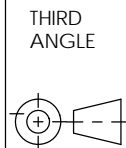
THIS DOCUMENT IS THE PROPERTY OF SINOHUA ENGINEERING SOLUTIONS. THE CONTENTS ARE CONFIDENTIAL AND CONSTITUTE TRADE SECRETS PROPRIETARY TO SINOHUA ENGINEERING SOLUTIONS. NEITHER THIS DOCUMENT NOR ITS CONTENT SHALL BE DISCLOSED TO ANY UNAUTHORIZED PERSON, COPIED OR PUBLISHED WITHOUT SINOHUA ENGINEERING SOLUTIONS' PRIOR WRITTEN CONSENT.

REV.	MODIFICATION.	DATE	DRN
01	PRODUCTION RELEASE	02/02/16	SFH



www.sinohua.cn

ALL DIMENSIONS IN mm
 GENERAL TOLERANCES ± 0.25
 UNLESS OTHERWISE STATED
 1 DECIMAL PLACE ± 0.25
 2 DECIMAL PLACES ± 0.10
 ANGULAR $\pm 1^\circ$



DESCRIPTION:

ADHESIVE WIRE SADDLES

MATERIAL:
 NYLON66,UL94V2

COLOUR:
 NATURE

PART No:
 460317

DRG No:
 WSK-1

PROJECT NUMBER:
 EU12-0020

Mass:(g)

SHEET SIZE
 A4

DRN
 SFH

DATE
 03/02/12

CHKD
 TC

DATE
 03/02/12

SCALE
 NTS

SHEET No.
 1 OF 1