

USB Type-C&BC1.2 Charger Emulator with Adjustable Power Switch

FEATURES

- Meet Type-C discharge requirement
- Support Type-C 3A DFP port
- Fully Autonomous Type-C Controller Support Type-C Version 1.2
- 26 mΩ High-Side MOSFET
- 2uA supply current under idle state
- 4.2V ~ 6.5V Single Supply Operation.
- 2.0~4.0 A (typ.) Adjustable Current Limit
- Low Average Current in OUT shorted GND
- Support Apple® 2.7V/2.7V Fast Charging Mode
- Support Samsung® 1.2V/1.2V Fast Charging Mode
- Support BC1.2 & YD/T 1591-2009 Charging Mode
- Available ESOP8 package

controller optimized power chargers and mobile chargers. It broadcasts the available current of the charger over CC1/CC2 using the USB Type-C standard and prevents VBUS from being asserted until a valid connection has been verified. It can be used for up to 16.5W charging using Type-C protocols.

The UC2504 integrated USB charger emulators with a automatic host charger identification circuitry and high performance adjustable current limiting power switch. An automatic USB charger identification circuit allow s mobile power supply can automatically provides the correct modes on the data lines to charger compliant d evice among the Apple, Samsung and BC1.2 modes.

APPLICATIONS

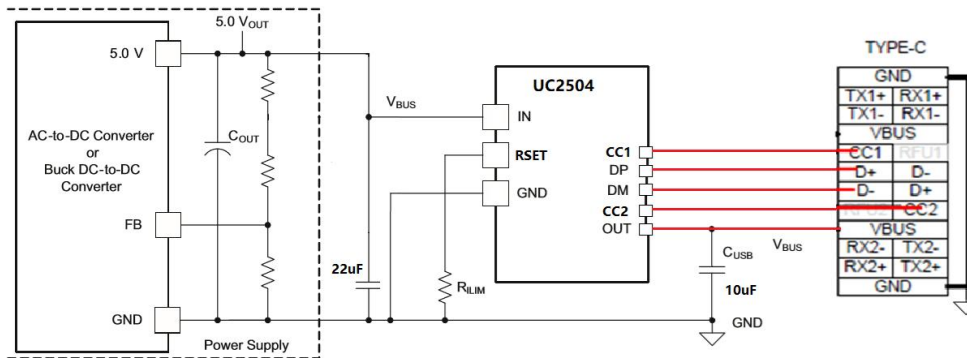
- USB Charger
- USB Wall Adapter
- Car Charger

The UC2504 is a 26mΩ power switch intended for applications where heavy capacitive loads and short-circuits are likely to be encountered. This also provides hiccup mode when enters OTSD mode and meet the latest VBUS discharge time requirements.

DESCRIPTION

The UC2504 is an autonomous source only Type-C

PACKAGE AND SIMPLIFIED APPLICATION

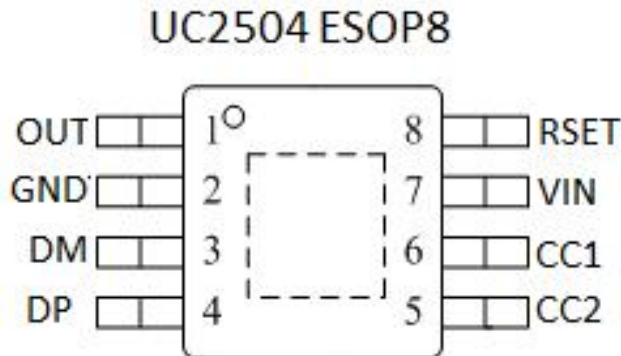


ORDERING INFORMATION

Part Number	Package Type	Package Qty	Op Temp(°C)	Mark
UC2504	ESOP8	4000	-40~85	UC2504 XXX

USB Type-C&BC1.2 Charger Emulator with Adjustable Power Switch

PINOUT



PIN FUNCTIONS

NO.	NAME	TYPE ⁽¹⁾	DESCRIPTION
1	OUT	O	Power-switch output, connected to VBUS of USB; connect a 10μF or greater ceramic capacitor from OUT to GND as close to the IC as possible
2	GND	G	Ground connection
3	DM	O/I	DM data line to connector, input for hand-shake voltage from portable equipment high impedance while disabled
4	DP	O/I	DP data line to connector, output for hand-shake voltage to portable equipment, high impedance while disabled
5	CC2	O/I	Analog input/output that connects to the Type-C receptacle CC2 pin
6	CC1	O/I	Analog input/output that connects to the Type-C receptacle CC1 pin
7	VIN	P/I	Power supply/Input voltage connected to Power Switch; connect a 10μF or greater ceramic capacitor from IN to GND as close to the IC as possible
8	RSET	I	External resistor used to set current-limit threshold;

(1) G = Ground, I = Input, O = Output, P = Power

USB Type-C&BC1.2 Charger Emulator with Adjustable Power Switch

ABSOLUTE MAXIMUM RATINGS (1)

Over recommended operating free-air temperature range (unless otherwise noted)

PARAMETER		MIN	MAX	UNIT
Supply Voltage Range	V _{IN}	-0.3	7.0	V
Input voltage range	DP,DM,CC1,CC2	-0.3	5.8	
ESD rating, Human Body Model (HBM)	V _{IN} , OUT		6	kV
	DP, DM, CC1,CC2		6	
Operating Junction Temperature	T _J	-40	125	°C
Storage Temperature Range	T _{stg}	-65	150	

(1) Stresses beyond those listed under Absolute Maximum Ratings may cause permanent damage to the device. These are stress ratings only, and functional operation of the device at these or any other conditions beyond those indicated under Recommended Operating Conditions is not implied. Exposure to absolute-maximum-rated conditions for extended periods may affect device reliability.

THERMAL CHARACTERISTICS

over operating free-air temperature range (unless otherwise noted)

THERMAL METRIC (EMSOP8)			UNIT
θ_{JA}	ESOP8 Package thermal impedance ⁽¹⁾	48	°C/W
θ_{JCtop}	Junction-to-case (top) thermal resistance	53	
θ_{JCbot}	Junction-to-case (bottom) thermal resistance	13.5	
θ_{JB}	Junction-to-board thermal resistance	37	

(1)The package thermal impedance is calculated in accordance with JESD 51-7.

RECOMMENDED OPERATING CONDITIONS

PARAMETER		MIN	MAX	UNIT
V _{IN}	Input voltage of IN	4.5	6.5	V
V _{DP/DM}	DP data line input voltage		5.5	
I _{DP/DM}	Continuous sink/source current		±10	mA
R _{SET}	Resistance of R _{SET}	13	100	kΩ
I _{OUT}	Continuous sink/source current	2000	4000	mA
T _J	Operating Junction Temperature	-40	125	°C

USB Type-C&BC1.2 Charger Emulator with Adjustable Power Switch

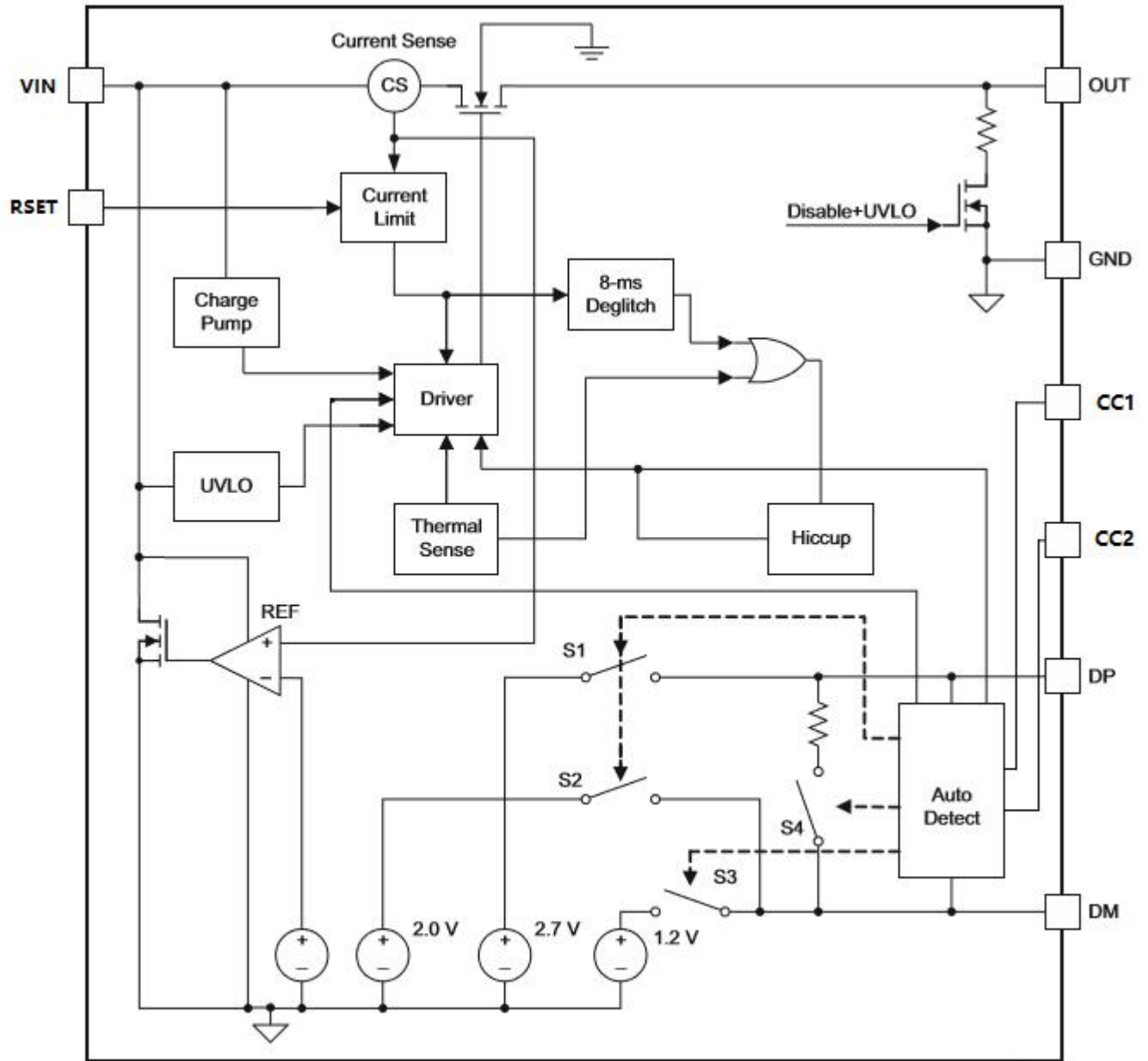
ELECTRICAL CHARACTERISTICS

Conditions are: $T_A = 25^{\circ}\text{C}$, $V_{IN} = 5.0\text{ V}$ and $R_{SET} = 17.4\text{k}\Omega$. Positive current are into pins. All voltages are with respect to GND (unless otherwise noted).

PARAMETER	TEST CONDITIONS	MIN	TYP	MAX	UNIT	
Power Switch						
R_{DSON}		$I_{OUT}=1.0\text{A}$	26	28	$\text{m}\Omega$	
Current Limit						
I_{OUT}	OUT current limited	$R_{SET}=16\text{K}$	3.1	3.3	3.5	A
SUPPLY CURRENT						
I_{IN}	IN ON supply current		226		μA	
I_{INI}	IN idle supply current	CC1/CC2 floating	0	5		
BC 1.2 DCP MODE						
R_{DPM_SHORT}	DP / DM shorting resistance		125	200	Ω	
IPAD MODE 2.4A Mode						
V_{DP_IPAD}	DP output voltage		2.5	2.7	2.9	V
V_{DM_IPAD}	DM output voltage		2.5	2.7	2.9	V
Galaxy Tab MODE						
V_{DP_GAL}	DP output voltage		1.1	1.2	1.3	V
V_{DM_GAL}	DM output voltage		1.1	1.2	1.3	
UFP Mode						
I_{SRC}	Sourcing current		326		μA	
Thermal Shutdown						
T_{OTSD}	Temperature Rising Threshold		150		$^{\circ}\text{C}$	
	Hysteresis		20			

USB Type-C&BC1.2 Charger Emulator with Adjustable Power Switch

BLOCK FUNCTION DIAGRAM



USB Type-C&BC1.2 Charger Emulator with Adjustable Power Switch

PCB LAYOUT NOTIFICATION

Input capacitance C1 of the pin 7 of uc2504:

The voltage entering the pin 7 must pass through the input capacitor C1 at a single point(单点过电容), the C1 must be close to the pin 7.

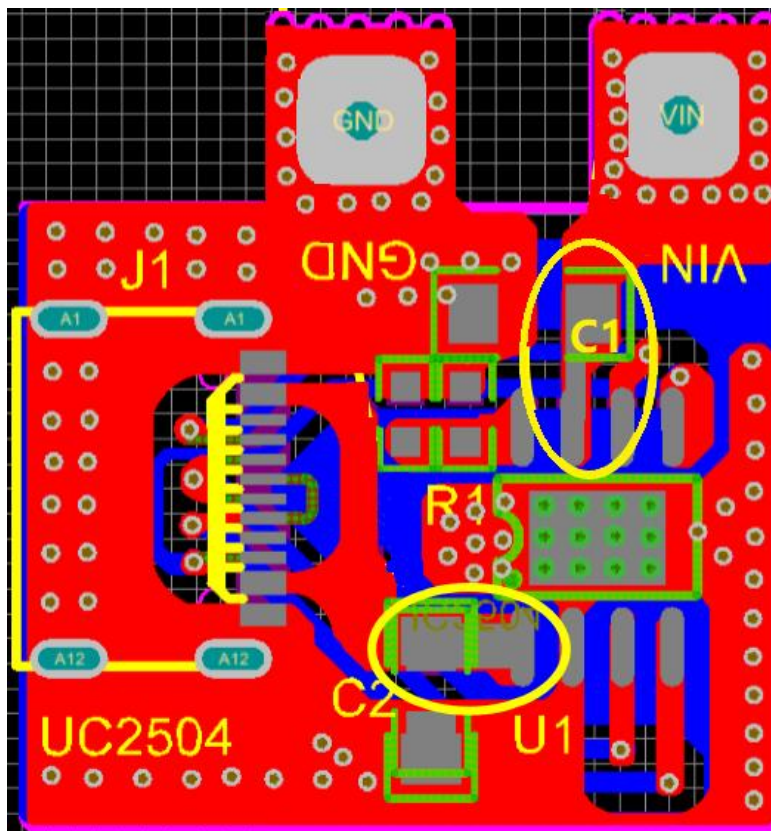
Output capacitance C2 of pin 1:

The pin1 to Type-C must pass through the output capacitor C2 and be close to pin 1.

Recommended capacitance C1 is 0805 size, value is 22uF;

Recommended capacitance C2 is 0805 size, value is 22uF;

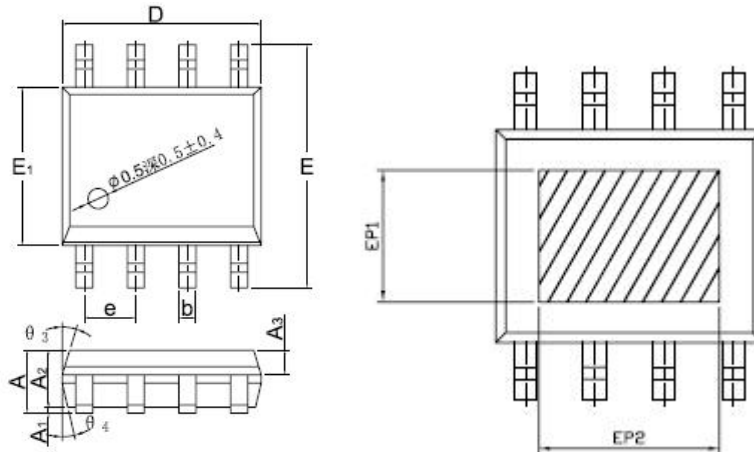
Based the difference of AC/DC or DC/DC, the C1 and C2 can be bigger or smaller.



USB Type-C&BC1.2 Charger Emulator with Adjustable Power Switch

PACKAGE INFORMATION

ESOP8



DIMENSIONS IN MILLIMETERS

SYMBOL	MIN	NOM	MAX
A	1,35	1,55	1,75
A ₁	0,00	—	0,10
A ₂	1,25	1,40	1,65
A ₃	0,50	0,60	0,70
b	0,39	—	0,49
b ₁	0,28	—	0,48
c	0,10	—	0,25
c ₁	0,10	—	0,23
D	4,80	4,90	5,00
E	5,80	6,00	6,20
E ₁	3,80	3,90	4,00
e	1,27BSC		
L	0,45	—	1,00
L ₁	1,04REF		
L ₂	0,25BSC		
R	0,07	—	—
R ₁	0,07	—	—
h	0,3	0,4	0,5
θ	0°	—	8°
θ ₁	11°	17°	19°
θ ₂	11°	13°	15°
θ ₃	15°	17°	19°
θ ₄	11°	13°	15°
EP1	2,40	—	—
EP2	3,30	—	—

